

# INSPECTOR *HD*

## Compact High Definition Color Zoom Camera



**Full HD 1080i Video with 10X Optical Zoom**

**6.1 Megapixel Still Image Capture**

**4000 Meter Depth Rating**

**Smear-Free images with Wide Dynamic Range,  
High Picture Quality, and Accurate Brightness**



**The INSPECTOR *HD* camera provides high definition video in 1080i resolution for near or far inspection and monitoring.**

The INSPECTOR *HD* underwater color zoom camera provides true 1080i resolution and real-time 6.08 Megapixel still image availability. A 10:1 optical zoom lens (2x digital) with tele-macro capabilities and auto focus allows for flawless viewing without additional focal adjustments.

This camera is integrated with innovative circuitry and protocol which allows the user to remotely control or set virtually all aspects of the camera's many options, communicate with the camera's controls via RS-485 or RS-232, and directly save and/or transfer the still images while the camera is submerged and in operation. Depth rated to 4,000 meters (13,000 feet), the INSPECTOR *HD* is housed in the highest quality 6AL4V titanium and only measures 8.8 inches in length (without connector) and 3.5 inches wide in the main body.

The INSPECTOR *HD* is designed to be mounted to a fixed surface or as an integral part of a lighting and positioning system. This camera complements the SmartLIGHT and PT-10 RS-485 positioner to constitute a turn-key high-definition, inspection system.

*ROS has been manufacturing an array of harsh environment cameras, lights, positioners, and specialized systems designed for oceanographic, nuclear, industrial, and military applications for over 30 years.*

# INSPECTOR HD - Compact High Definition Color Zoom Camera

## ELECTRICAL

Resolution:	True 1080i HDTV
Minimum Illumination:	2 lux
Sensor Type:	1/2.9" (6.3mm) clearvid CMOS
Power Inputs:	12-24 VDC
HD Video Outputs:	
Digital	HD-SDI (4:2:2) 10-bit (8-bit effective)
Analog	HD Component RGB (Y, Pb/Pr, Cb/Cr)
HD Video Format:	1080/60i (US) or 1080/50i (EUR)
Video Aspect Ratio:	16:9 or 4:3 (switchable)
Communication Protocols:	Full duplex RS-232 (9.6K, 19.2K, 57.6Kbps), full duplex RS-485 (9.6K, 19.2K, 57.6Kbps), half duplex RS-485 (9.6K, 19.2K, 57.6Kbps)
Still Image Capture:	6.08 Megapixel (2848x2136) with 4:3 aspect ratio (1293 image capacity) 4.57 Megapixel (2848x1602) with 16:9 aspect ratio (1730 image capacity)
Still Image Transfer:	USB 2.0
Image stabilization:	Yes (optical)

## OPTICAL

Optical Zoom:	10x
Digital Zoom:	2x, 20x total
Exposure Control:	Automatic, manual
Focus Control:	Automatic, manual
Minimum Focal Distance:	
Wide Angle	Front window
10x Optical Zoom	787 mm (31 in.)
Field of View in Air (16:9):	
Wide Angle Horizontal	47°
Wide Angle Vertical	28°
Wide Angle Diagonal	55°
Field of View in Water (16:9):	
Wide Angle Horizontal	34°
Wide Angle Vertical	20°
Wide Angle Diagonal	39°

## ENVIRONMENTAL

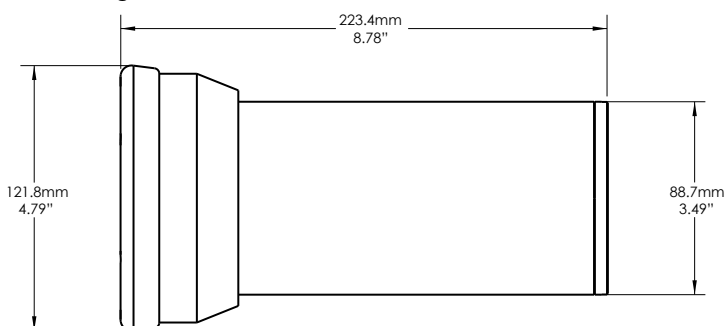
Operating Depth:	4,000 m (13,000 ft) standard
Temperatures:	
Operating temperature	0°C to 40°C (32°F to 104 °F)
Storage temperature	-20°C to 60°C (-4°F to 140 °F)

## MECHANICAL

Housing Material:	6AL4V titanium
Length (w/ connector):	223.4 mm (8.78 in)
Diameter Main Body:	88.7 mm (3.49 in)
Diameter Front End:	121.8 mm (4.79 in)
Weight in Air:	2.8 kg (6.2 lbs)
Weight in Water:	1.8 kg (4 lbs)
Viewing Port:	Optical grade acrylic
Standard Connectors:	Burton 2013

## ACCESSORIES

Cables:	Pigtail with molded mating connector
Mounting:	Aluminum bracket



Specifications subject to change without notice



5618 Copley Drive  
San Diego, CA 92111 USA  
Tel (858) 565-8500  
Fax (858) 565-8808  
East Coast Office (804) 754-3936

[www.rosys.com](http://www.rosys.com)  
[sales@rosys.com](mailto:sales@rosys.com)