

MV-LED

Underwater LED Spotlight



**Operates off of 120 Volt AC
or 24 Volt DC Power**

**Light output exceeds that of a
250 Watt halogen spotlight**

**Fully dimmable,
either via voltage or RS-485**

Extremely resistant to shock & vibration



*The future of underwater lighting is closer,
brighter, and more economical than ever*

The AC or DC powered MV-LED compact underwater spotlight is a true "halogen replacement." It packs a punch - exceeding that of a 250 Watt incandescent lamp, but drawing a fraction of that power. With the MV-LED's multi-year lifespan, you will never have to replace bulbs again.

The MV-LED is a mechanically, thermally, and electrically robust lamp to be trusted for the life of your vehicle or sled. The MV-LED works with all video formats. Three versions are available: 120 VAC with voltage or phase control dimming, 24 VDC with analog control voltage dimming, or 24 VDC with RS-485 dimming that can be connected to any serial bus or computer. A variety of connector, wiring, and mounting options make the MV-LED an easy "drop-in" replacement for its halogen predecessors.

The MV-LED's highly-focused, intense light beam will bring life into your scene, and works great with high definition video. Using the included collar and yoke bracket, it is easy to direct the lamp towards your target.

Don't be disappointed by LED lamps offered by competitors - make the smart choice and invest in certified ROS MV-LEDs.

ROS has been manufacturing an array of harsh environment cameras, lights, positioners, and specialized systems designed for oceanographic nuclear, industrial, and military applications for over 34 years.

MV-LED - Underwater LED Spotlight

PERFORMANCE

Lamp Type: Ultra High-intensity White LED Array
 Light Color Temperature: 6,300° K (typical)
 Color Rendering Index: 70 (typical halogen light - 40; typical fluorescent light - 56)
 Thermal Protection: Auto-resetting ⁽¹⁾
 Beam Angle: 38° conical (half-intensity angle)

	AC	DC	RS 485
Dimming - light is dimmed via:	Input voltage or AC phase control (Input voltage or PWM in DC Mode)	Analog control(0-5V) (0-10V)	RS 485 control
Light Output:	2000 lux at 1m in-air ⁽²⁾	5000 lux at 1m in air ⁽²⁾	5000 lux at 1m in-air ⁽²⁾
Operating Voltage:	0-120 VAC 50/60 Hz (0-160 VDC in DC Mode)	24-30 VDC	24-30 VDC
Operating Current:	540 mA typical @ 120 VAC 195 mA @ 160 VPC	1.82 A Typical @ 24 VDC	1.82 A Typical @ 24 VDC
Power Consumption:	65 VA at full intensity (31 Watts at full intensity in DC Mode)	45 Watts maximum	45 Watts maximum

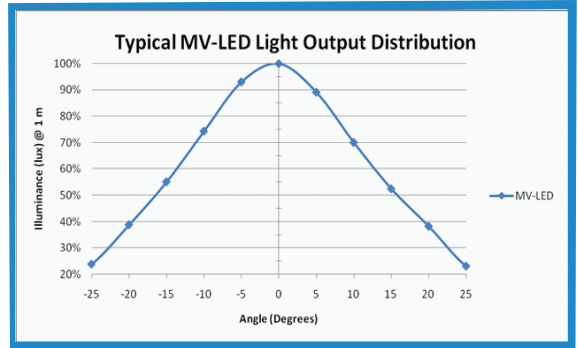
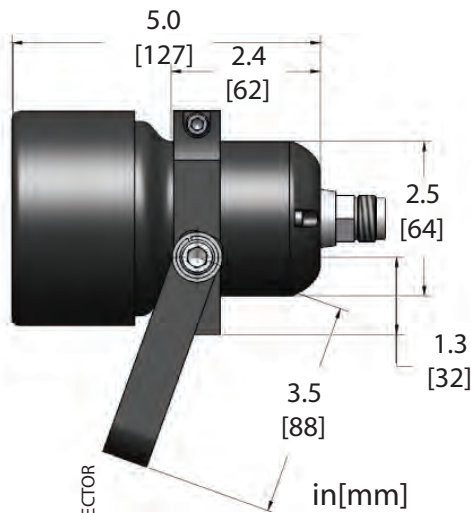
ELECTRICAL

MECHANICAL

Housing Material: Anodized 6061-T6 Aluminum
 Housing Finish: Hard black anodized, corrosion-barrier
 Size (w/o connector, bracket): 88mm (3.5in) diameter front end x 64mm (2.5in) diameter body x 127mm (5.0in) length
 Mounting: Two 1/4-20 base holes in collar bracket, two 1/4-20 opposing holes in collar bracket, three holes in yoke bracket

ENVIRONMENTAL

Weight in Air: 1.06 kg (2.35 lbs)
 Weight in Water: .63 kg (1.39 lbs)
 Operating Depth: 4000 m(13,000 ft)
 Operating Temperature: Operates in water temperatures of -2°C to 30°C (28°F to 86°F)



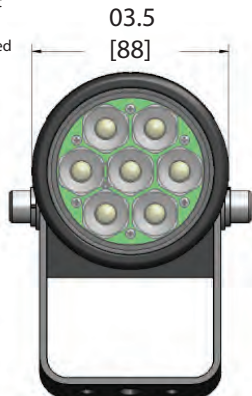
NOTES

(1) The MV-LED is electronically protected from overheating via a thermal cut-off switch. The light will run for approximately 15 minutes in air (at an ambient temperature of 20°C (68°F)) before automatically powering down or blinking. There is no reset; the light will automatically re-illuminate once it cools to a safe operating temperature. The thermal protection is intended as a failsafe feature from unintentional damage due to extended use in air. It is not recommended intentionally to run the light out of water for any extended period as it will reduce the product lifespan.

(2) Don't be fooled by manufacturers who use "lumen" to rate their low-cost LED lamps! The true measure of usable light intensity is measured in "LUX." Ask your ROS account manager for more information today.

- CONNECTOR
- 120 VAC: 10-00500 - [] - []
 - 24 VDC: 10-00565 - [] - []
 - 24 VDC(485): 10-00550 - [] - []
- Blank - No Yoke Bracket
 Y- Yoke Bracket Included
- 01 1 PIN, 2 CKT
 - 02 IESQ4M-BC1-1/2"
 - 03 5507 - 1503
 - 04 XSG-3-BCL-HP
 - 05 LPBH - 3-MP-1/2"
 - 06 BH-3-MP
 - 07 MSAJ-3-BCR
 - 11 CRE / SEACON MSAJ-3-BCR
 - 12 MCBH-4-MP-1/2"
 - 13 3-PIN, RMG-3-BCL-SS
 - 14 LPMBH-4-MP
 - 15 BH-4-MP
 - CS CUSTOMER SPECIFIED

Note: 4 Pins needed for RS485



ROS
 REMOTE OCEAN SYSTEMS
 5618 Copley Drive
 San Diego, CA 92111 USA
 Tel (858) 565-8500
 Fax (858) 565-8808
 East Coast Office (804) 754-3936
www.rosys.com
sales@rosys.com