

UL-1000 UNDERWATER FLOODLIGHT



**Color balanced light output optimal
for video imaging systems**

**Heavy-duty plastic housing material
is impervious to corrosion**

100W - 250W halogen lamp options

***Cost-effective flood lighting for harsh
environments down to 1,000 meters.***

The UL-1000 floodlight utilizes the innovative design, color balanced output, and uniform flood-beam pattern of its deeper water counterpart for superb ROV and sub sea lighting. This lamp is equipped with high performance bulbs ranging from 100 – 250 watts to provide a light output that is ideal for color video and photographic viewing applications.

A unique feature of the UL-1000 is its light-weight base and reflector made from high temperature Valox®, a heavy-duty plastic that is impact resistant and impervious to corrosion. This innovative light is depth rated to 1000 meters, which makes it well suited for many underwater applications.

This unique underwater floodlight uses a wet-mateable connector that is standard in the diving and ROV industry, which allows for easy underwater maintenance of the light should a bulb replacement be required.

The UL-1000 complements any ROS underwater video inspection system and has been deployed on numerous ROV's throughout the world.

ROS has been manufacturing an array of harsh environment cameras, lights, positioners, and specialized systems designed for oceanographic, nuclear, industrial, and military applications for over 30 years.

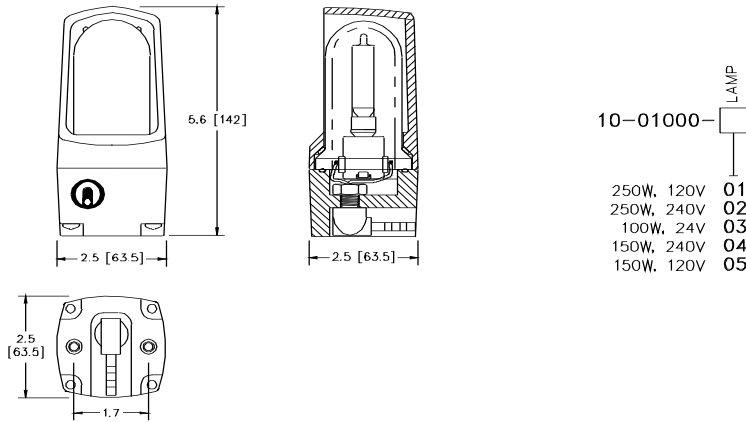


UL-1000 - Underwater Floodlight

SPECIFICATIONS

Housing Material:	High temperature Valox
Size:	142 mm X 63.5 mm X 63.5 mm (5.6 in X 2.5 in X 2.5 in) without connector
Envelope:	Pyrex
Lamp type:	Screw-in tungsten halogen
Beam pattern:	100 degrees x 100 degrees flood
Weight in Air:	0.49 kg (1.06 lbs)
Weight in Water:	0.09 kg (0.19 lbs)
Operating Depth:	1,000 m (3,000 ft)
Mounts:	Two 1/4-20 tapped holes in base with stainless steel inserts

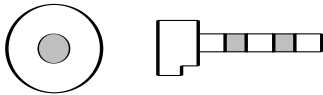
Select from the list of options below and fill in the model sequence number



REPLACEMENT LAMPS

Part Number	Watts	Volts	Avg. Hours (mfg rating)	Color Temp (K)	Lumens
10-05040-4	250	120	2000	3000	4800
10-05220-4	250	240	2000	2900	4500
10-05029-01	100	24 potted	2000	3000	1800
10-05225-4	150	240	1300	2800	2100
10-05020-4	150	120	1000	2900	2800

CONNECTOR



IERD2M-BC-4-1/2
(p/n: 60-04110-4)



5618 Copley Drive
San Diego, CA 92111 USA
Tel (858) 565-8500
Fax (858) 565-8808
East Coast Office (804) 754-3936

www.rosys.com
sales@rosys.com