

# Anchor Bolster Video System



**TV monitoring of mooring chains, wires, and anchors**

**Camera, pan and tilt, lights, integrated controller, and cables**

**Equipment mounted on a deployment frame**

**Color or monochrome camera options**



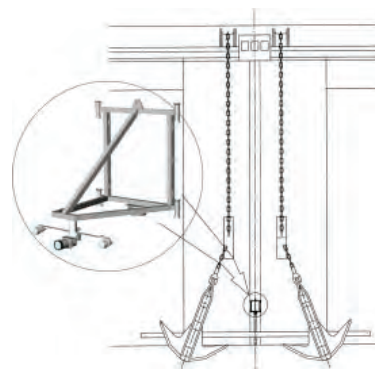
## *Remotely operated viewing system for monitoring mooring chains, wires, and anchors*

The Anchor Bolster System incorporates video inspection equipment mounted on a deployment frame which is raised and lowered through the use of a pneumatic winch to a semi-submersible's four anchor bolster mounts.

Once deployed, the system provides television monitoring of the mooring chains, wires, and anchors. Based on current day rates for offshore drilling rigs, the Anchor Bolster System provides considerable savings of time and money, eliminating the need for ballast and de-ballast operations in order to make field relocations.

Mounted to the deployment frame of the rig's four Anchor Bolster mounts, the remotely operated camera system includes an Inspector color video camera, two MV4000 underwater lights, and a PT-10 pan/tilt unit.

Save valuable time and money with a remotely operated viewing system for monitoring mooring chains, wires, and anchors.



*ROS has been manufacturing an array of harsh environment cameras, lights, positioners, and specialized systems designed for oceanographic nuclear, industrial, and military applications for over 34 years.*

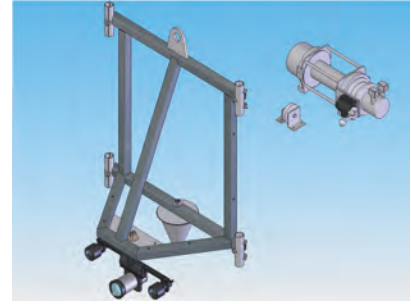
# Anchor Bolster Video System

## SYSTEM FRAME

Material:	316 Stainless Steel
Width:	39.4 in. [1000.8 mm]
Height:	55.5 in. [1408.8 mm]
Depth:	22.9 in. [582.7 mm]
Weight in Air:	154 lbs [69.8 Kg]
Max Guide Cable Diameter:	1.0 in [25.4 mm]

## CONTROL CONSOLE

Power Input:	120 VAC, 50-60 Hz; surge protected
Width:	25.0 in. [635 mm]
Height:	23.5 in. [596.9 mm]
Depth:	27.8 in. [706.12 mm]
Rack Case:	10U shockmount (w/casters option available)
Monitor:	15 in. Dual Input color monitor
Controller:	IC-15 Integrated Controller Power Rating: 1200 Watts Connector: MS3102A-20-275



### Inspector Color Camera

High resolution, color camera with 18:1 zoom, low-light sensitivity, superior wide-angle field of view, and four control format options. Titanium housing, depth rated to 3,000 meters.



### MV-4000 Underwater Light

50-500w halogen lamp. Optional interchangeable reflectors allow beam pattern to be modified to provide wide, medium or narrow spot beam. Aluminum or stainless steel housings, depth rated to 4,000 meters.



### PT-10 or PT-10-FB

High performance pan/tilt system providing 13.56 N-m of output torque on each axis. FB unit is equipped with internal limit switches and feedback potentiometers that sense orientation angles for display at the remote control station. Depth rated to 6,000 meters.



5618 Copley Drive  
San Diego, CA 92111 USA  
Tel (858) 565-8500  
Fax (858) 565-8808  
East Coast Office (804) 754-3936  
[www.rosys.com](http://www.rosys.com)  
[sales@rosys.com](mailto:sales@rosys.com)